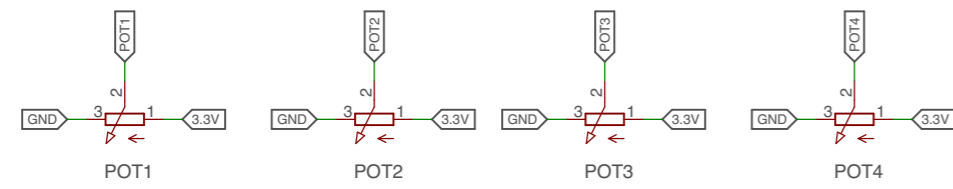
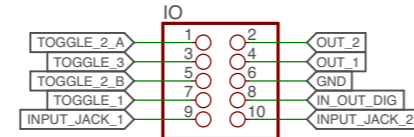


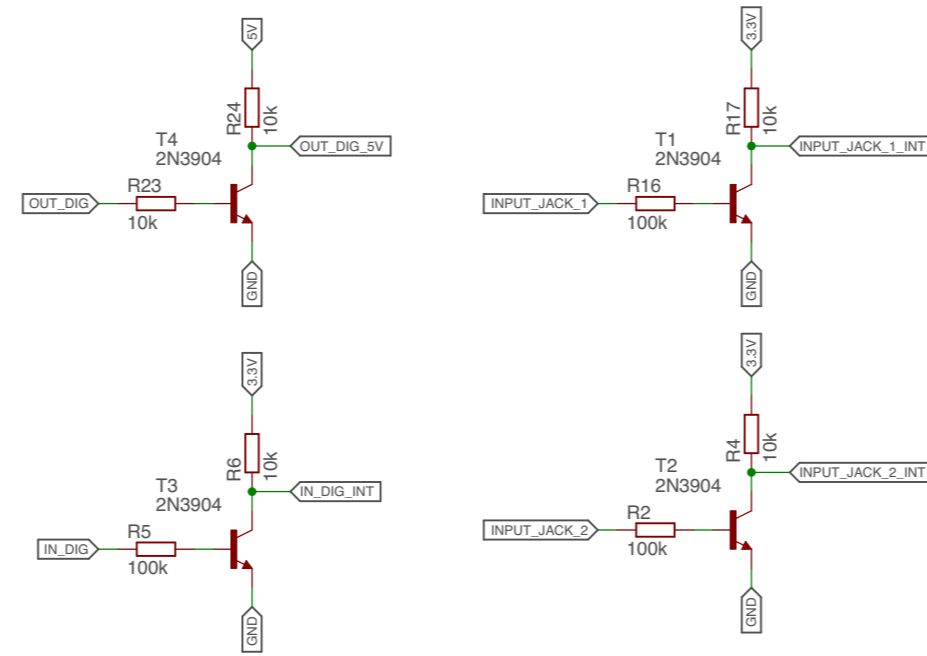
Pots



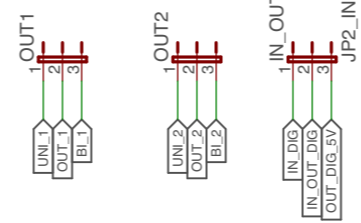
Daughter board connector



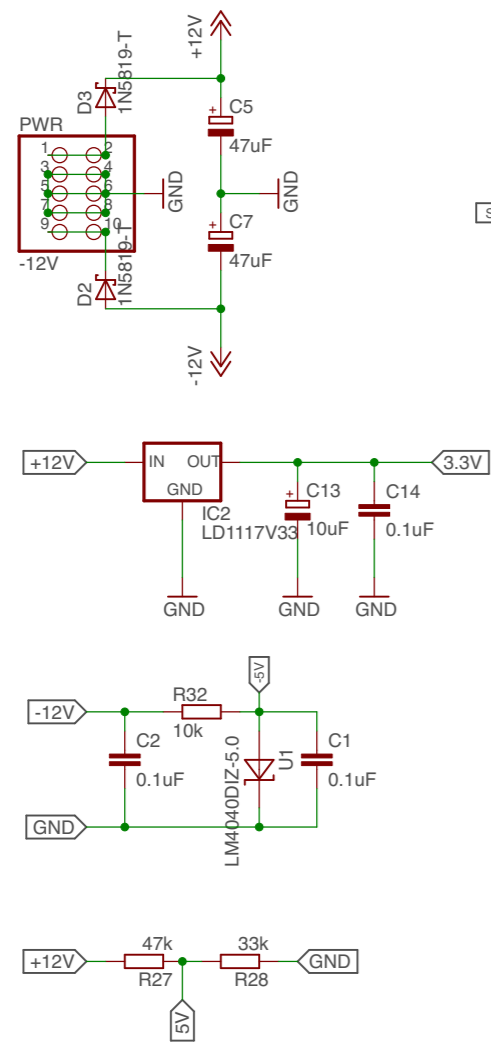
Digital IO



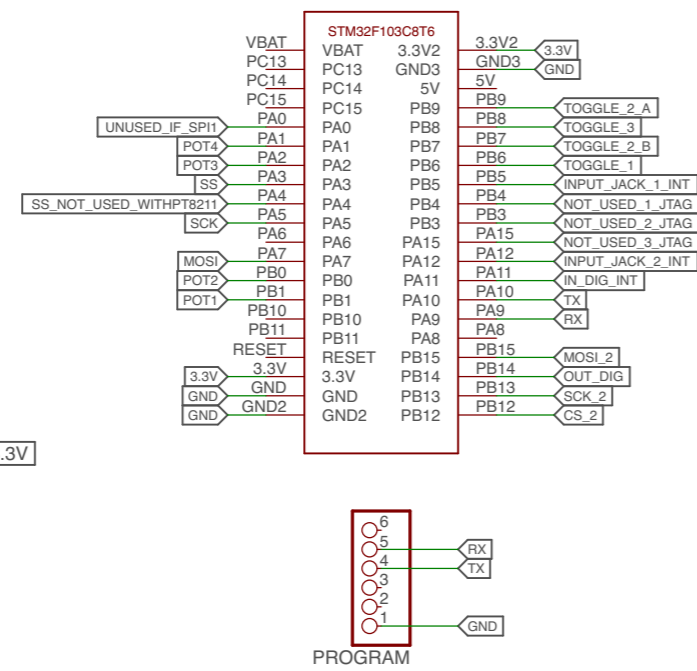
Jumpers



Power



STM32



Analog (CV) Outputs

